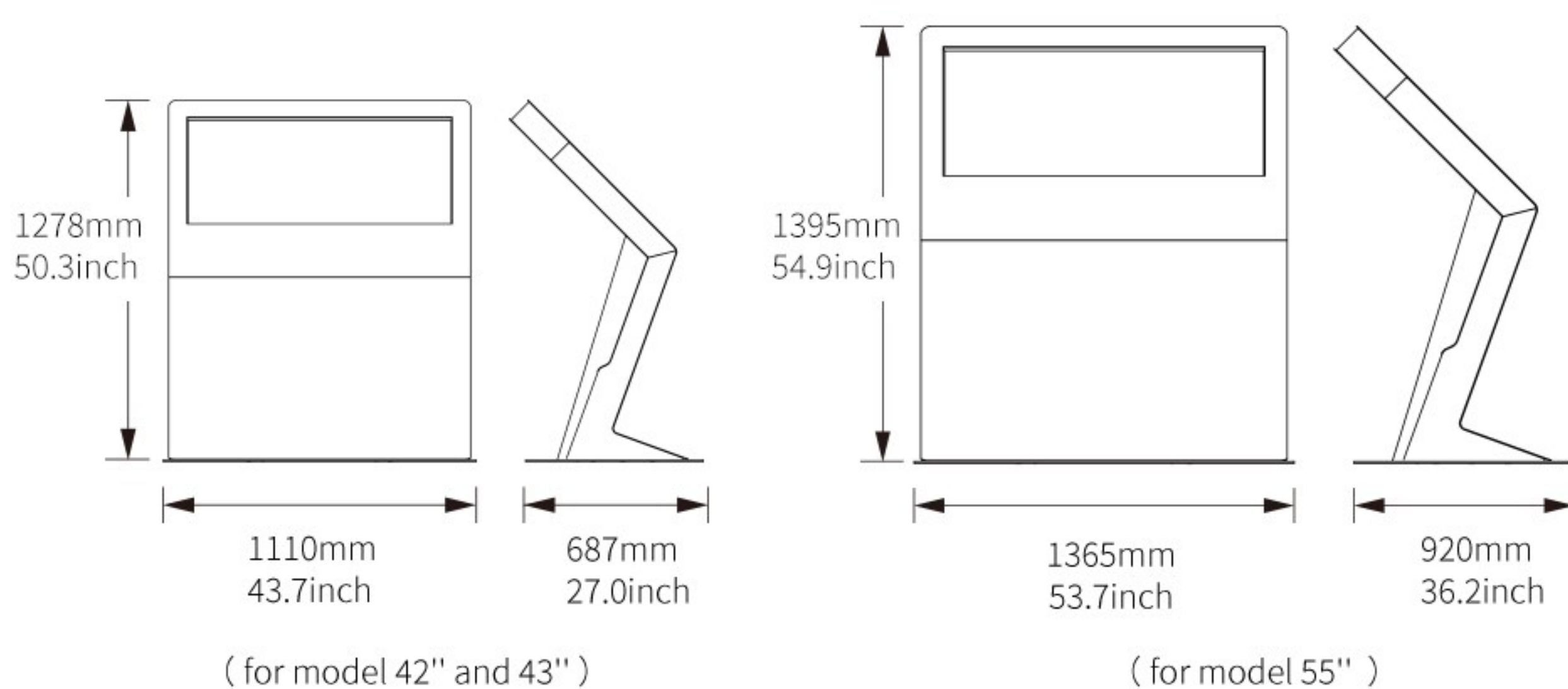


DSF-A243-S2

Digital Signage



Product Parameters



OS Support	WIN7/10 (trial version)	Android 5.1
CPU	Intel Celeron J1900 qual-core 2.0G	RK3288, Cortex-A17 quad core, 1.8GHz
System Memory	4G	2G
Disk	64G(SSD)	8G (16G/32G/64G)
Speaker	5W*2	5W*2
Interface	USB*3/RJ45*1	USB*2/RJ45*1
Network	RJ45/WIFI	
Touch screen		
Type	IR touch screen (10 points)	Response time
		5ms
LCD		
Type	TFT-LCD	Contrast Ratio
		4000:1, 1100:1
Screen size	42",43",55"	Response time
		8ms, 12ms
Max Resolution	1920x1080	Viewing angle
		H178° V178°
Aspect Ratio	16:9	Display Colors
		16.7M
Brightness	500cd/m2, 450cd/m2	Refresh Rate
		60Hz
Panel Life	60000 hours, 50000 hours	
Power		
Voltage	AC90V-240V,50/60HZ	Power Consumption
		100W
Enclosure		
Material	SPCC	Surface
		Powder coated
Color	White, black or customized	
Overall size	L1110 x W687 x H1278mm (for model 42" and 43") / L1365 x W920 x H1395mm (for model 55")	
Net weight	118kg(for model 42"), 119kg(for model 43"), 130kg(for model 55")	
Application		
Working temperature	0~40°C	Storage temperature
		-20~60°C
Working humidity	20%~80%	Storage humidity
		10%~90%
Application	indoor	

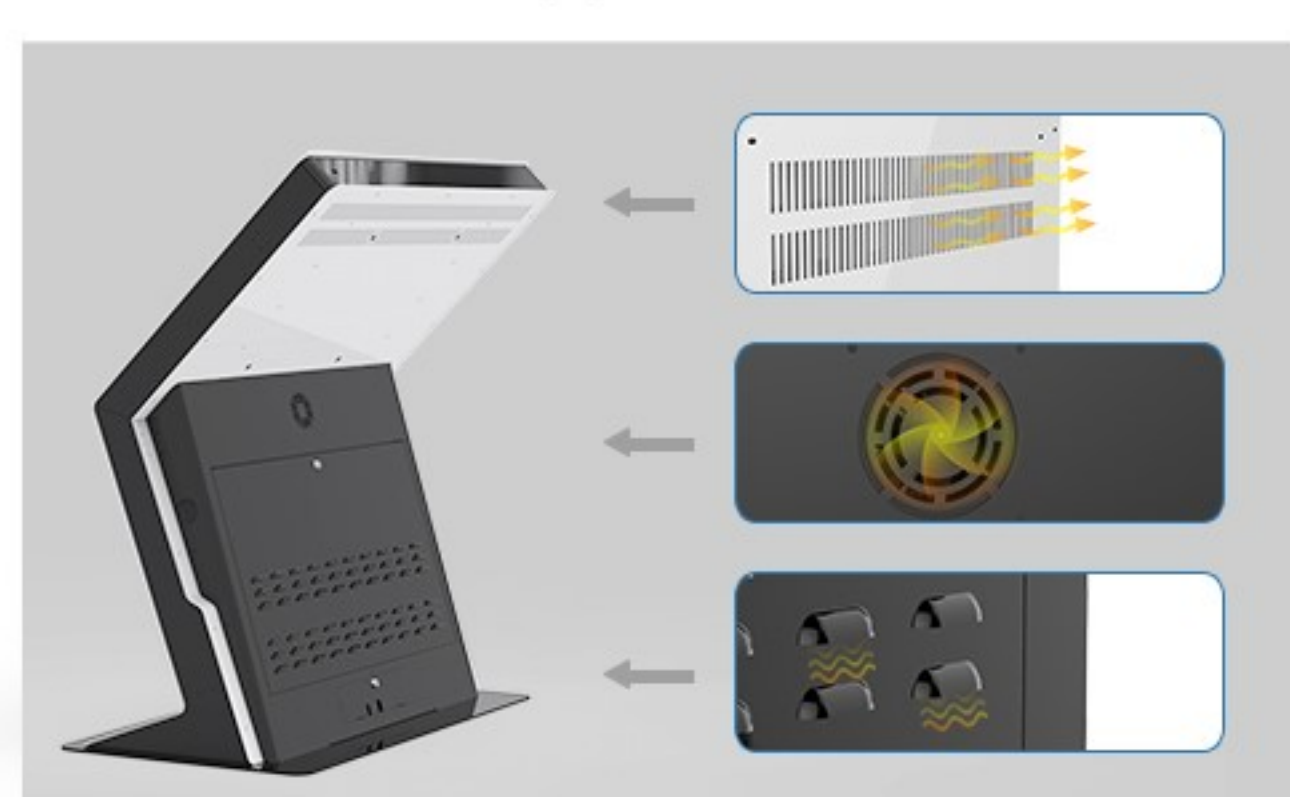
Product Features



• The multi-point infrared touch technology support powerful interactive features and applications are wider.



• Designed with two - channel speakers

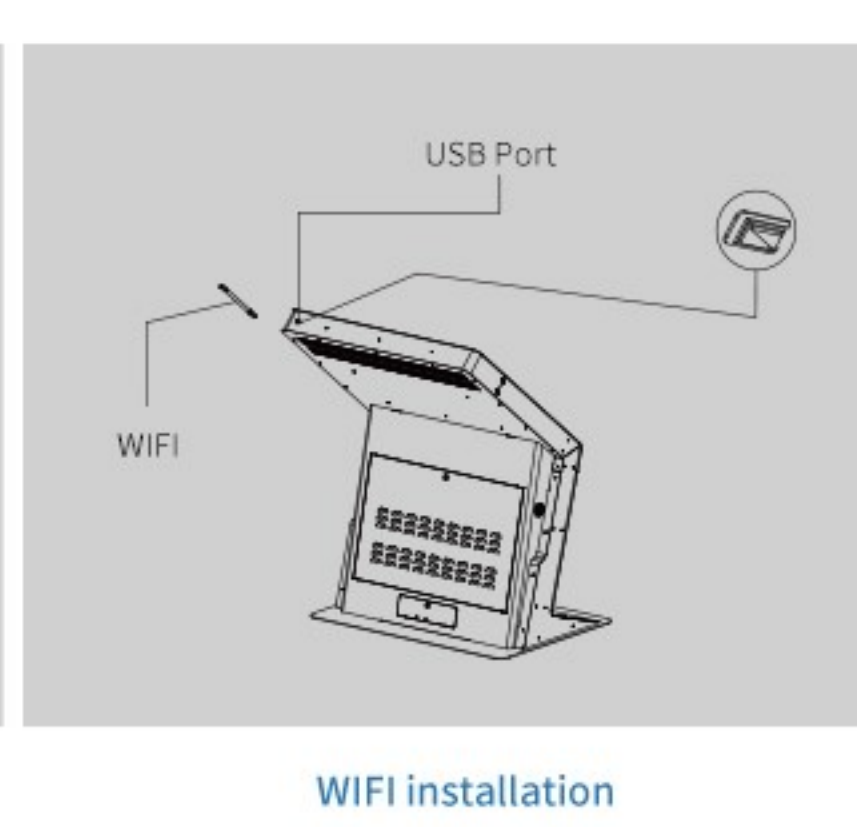
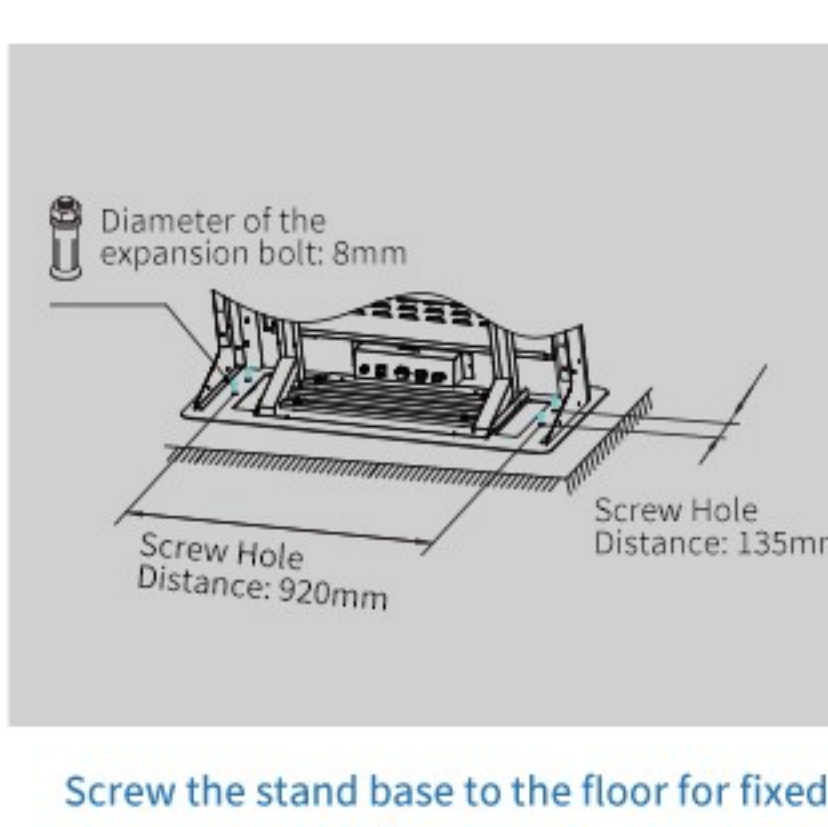
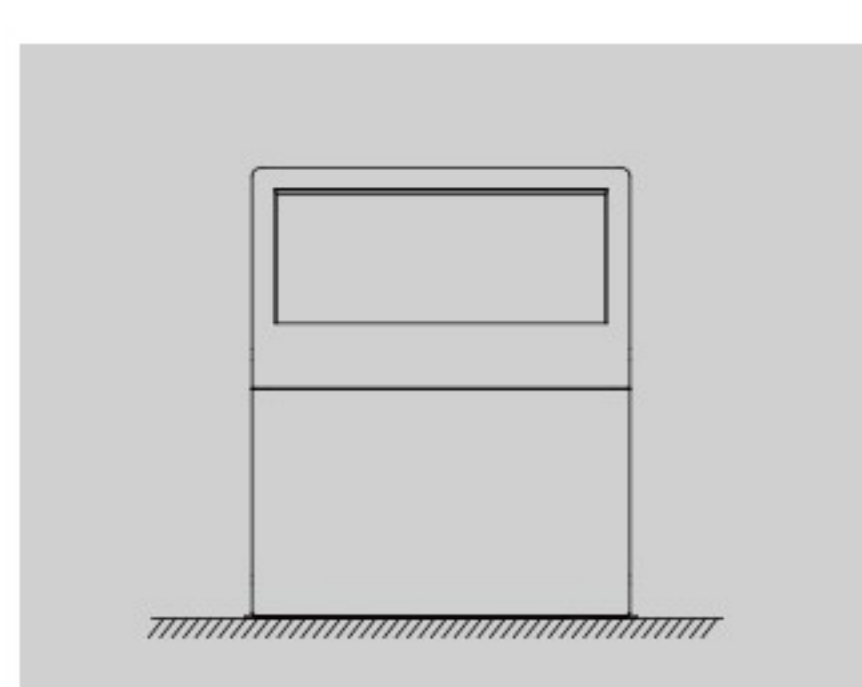


• Holes for heat dissipation



• For additional ports can be customized

Mounting Options



Application Scenarios



XIAMEN MAKEN TECH CO.,LTD.

Add: No.77, Huli Industrial Zone, Xike, Tong'an District, Xiamen 361100, Fujian China
 E-mail: sales@mihler.com Tel: +86-592-7116610
 Fax: +86-592-5768735 Website: www.mihler.com